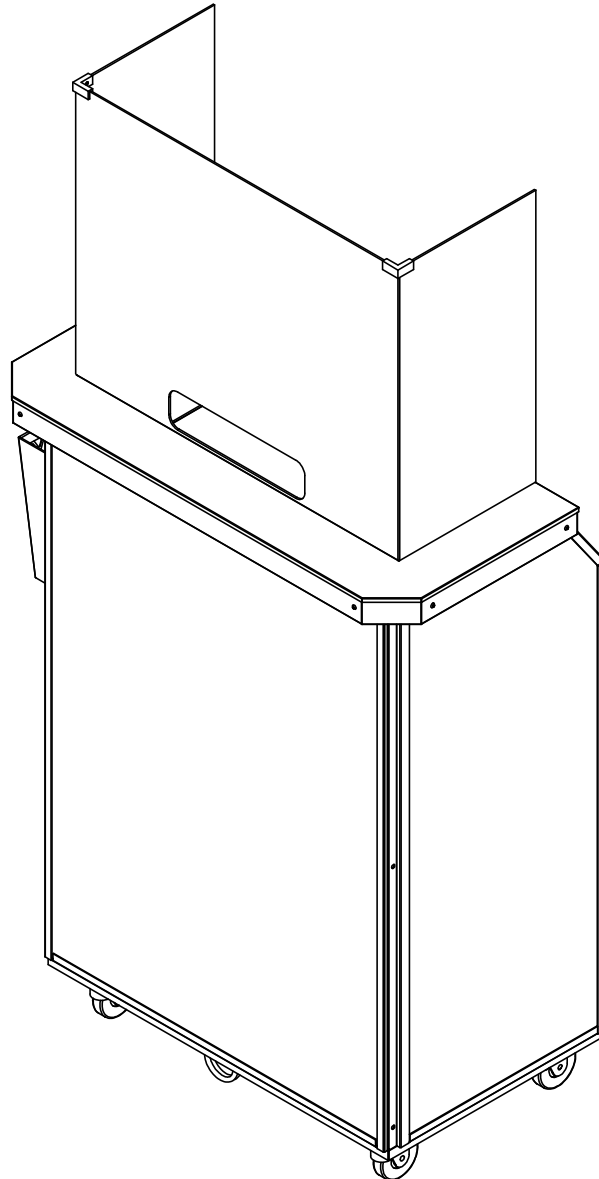


THE  
**HOSTESS**  
STATION

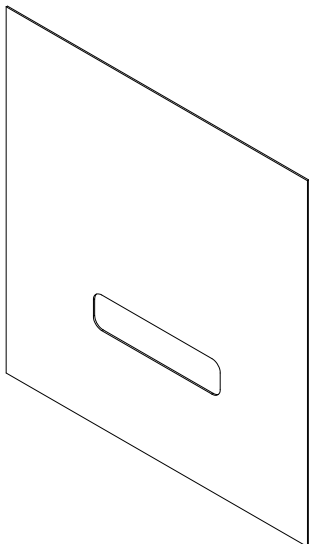
## DELUXE HOSTESS STAND SNEEZE GUARD SET UP



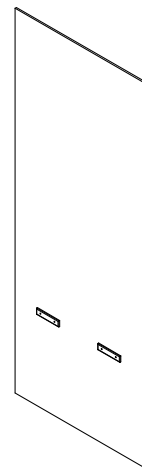
- **Read all the instructions before installing.**
- **Remove all packing materials before you start.**
- **Remove all protection films from acrylic panels.**
- **This installation requires basic mechanical skills.**
- **Proper installation is the responsibility of the installer.**
- **Product failure due to improper installation is not covered under the warranty.**
- **Keep this instruction manual.**



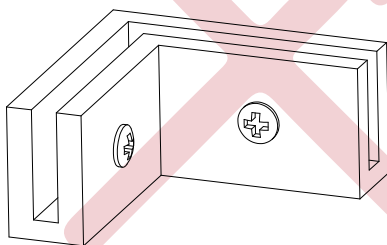
Sneeze Guard Front Piece  
QTY: 1



Sneeze Guard Side Piece  
QTY: 2



Corner Acrylic Bracket  
QTY: 4



THE  
HOSTESS  
STATION

*Note: Parts are not to scale.*

**STEP 1:** Lay down sneeze guard front piece on a flat surface. Install all four acrylic corner brackets as shown below:

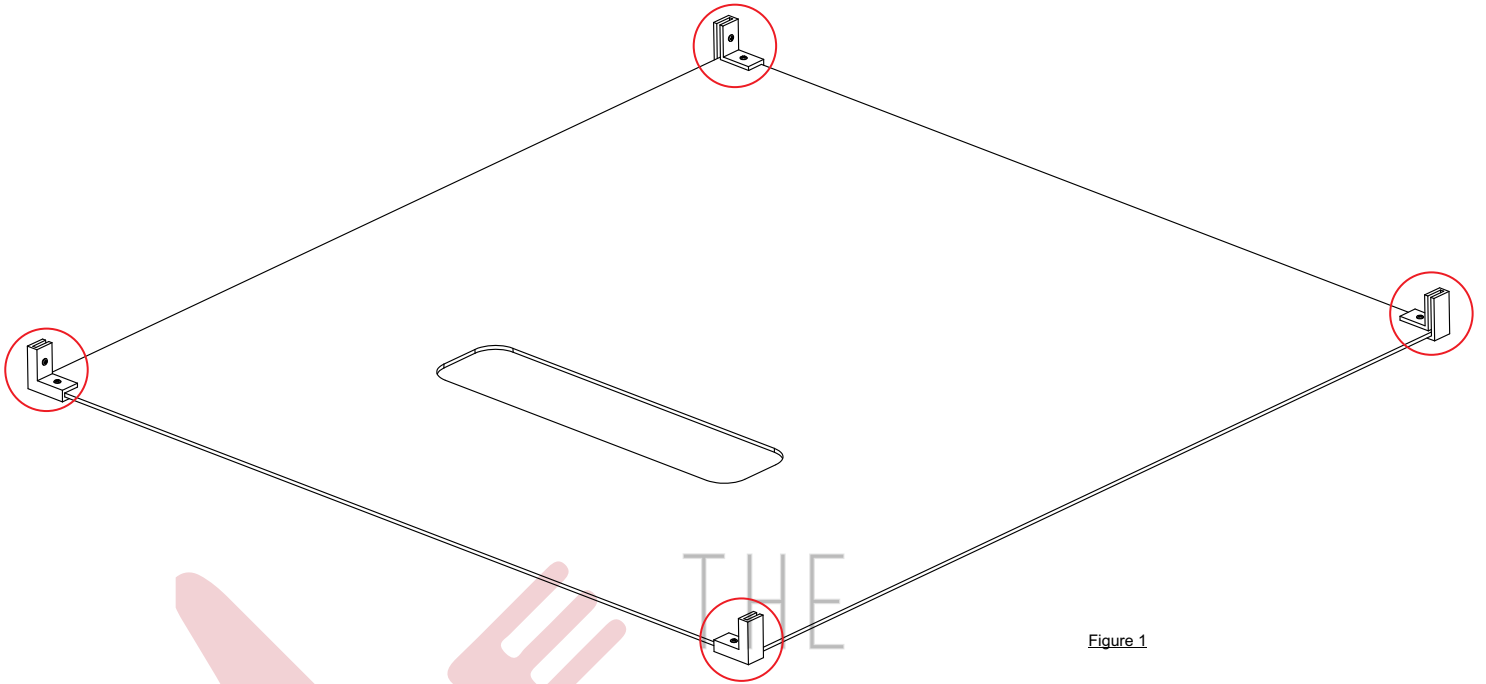
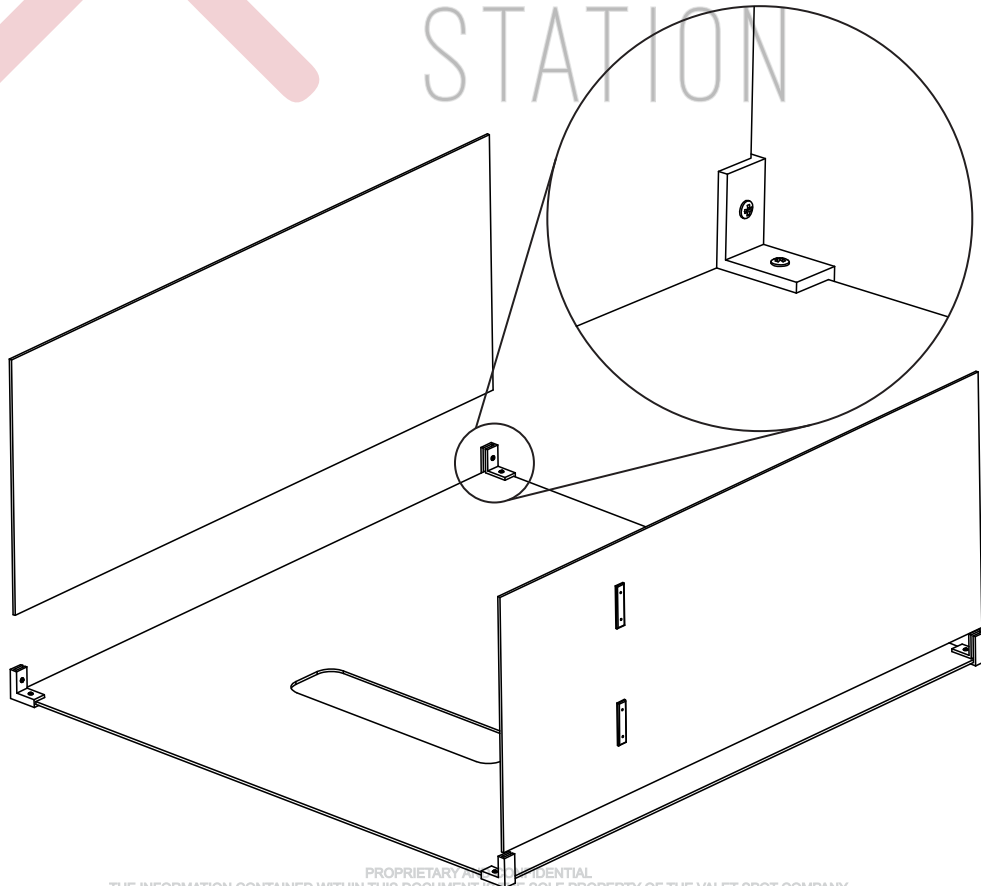


Figure 1

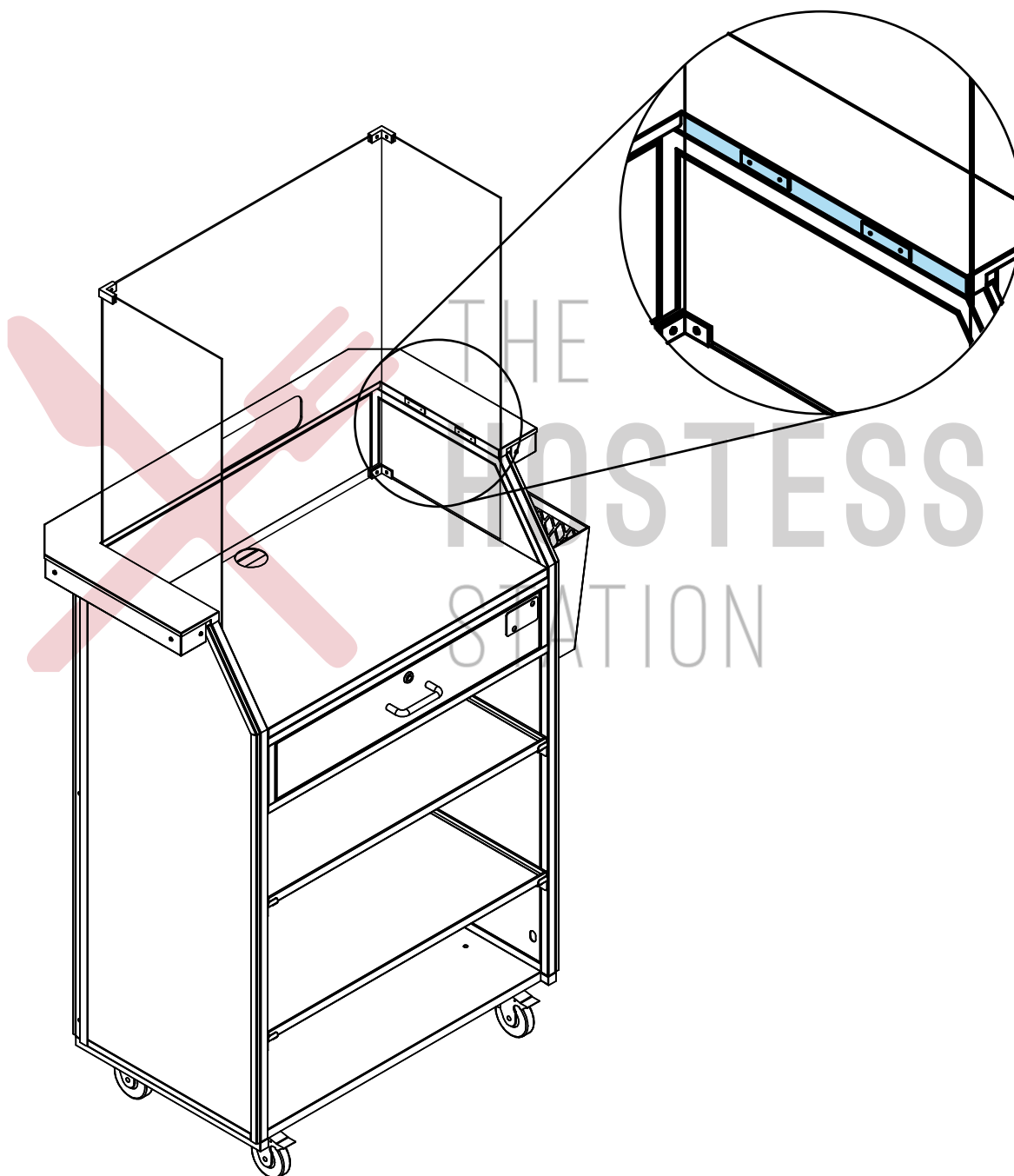
**STEP 2:** Install side pieces by aligning them with the corner brackets on the front piece. Tighten all four brackets using a phillips screw driver.

*Note: Make sure magnets face outward when installing side pieces.*

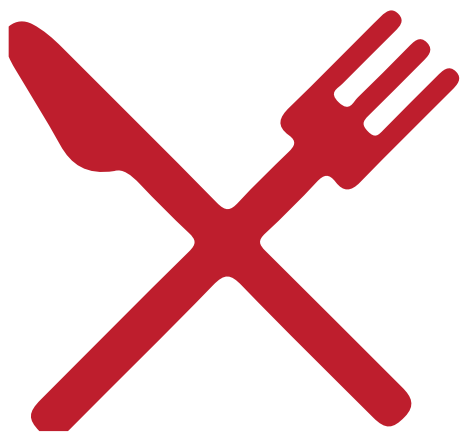


**STEP 3:** Lift the assembled guard setting on top of the working surface while aligning the side acrylic panels with magnets to the steel tubing on the side panel of the unit.

**Note:** Two people are needed to install guard.



**REMINDER:** Check the tension screws on the Corner Acrylic Brackets regularly to ensure the stability of the panels. Failure to do so may result in preventable damage”



THE  
**HOSTESS**  
STATION

**Contact us**

Tel # 844-873-1400

Fax # 866-659-3353

E-mail: [sales@thehostessstation.com](mailto:sales@thehostessstation.com)

**Visit us at**

[www.thehostessstation.com](http://www.thehostessstation.com)

