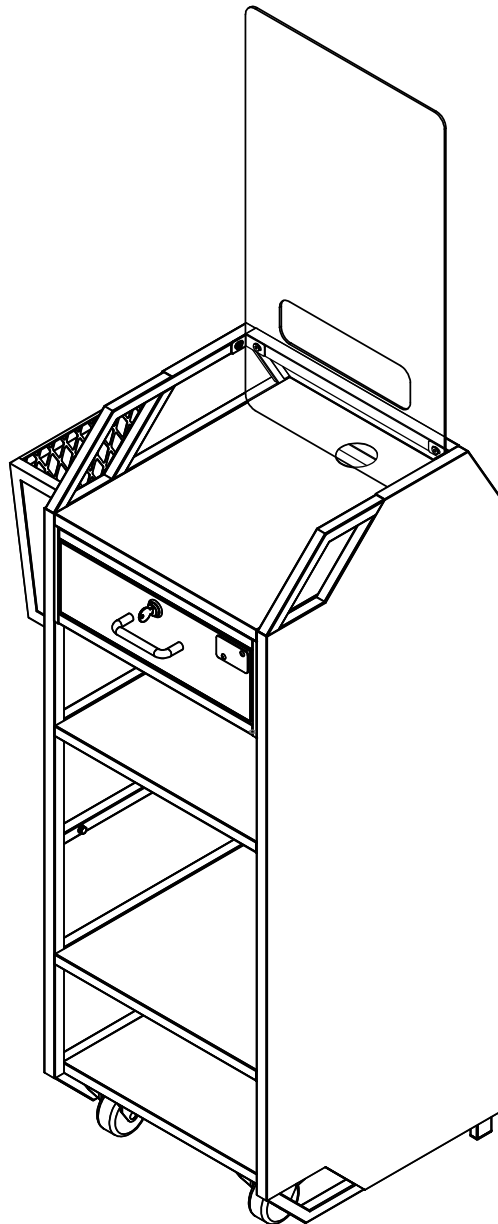




THE
HOSTESS
STATION

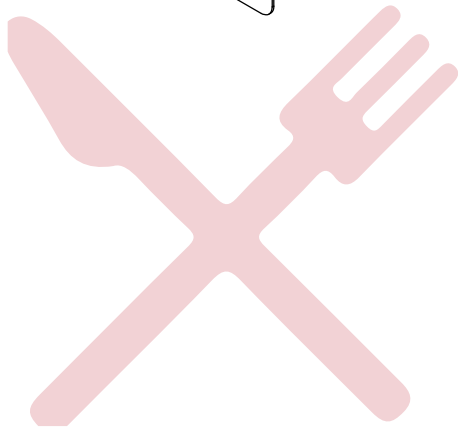
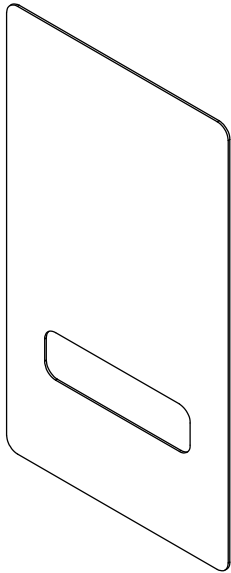
COMPACT HOSTESS STAND SNEEZE GUARD SET UP



- **Read all the instructions before installing.**
- **Remove all packing materials before you start.**
- **Remove all protection films from acrylic panels.**
- **This installation requires basic mechanical skills.**
- **Proper installation is the responsibility of the installer.**
- **Product failure due to improper installation is not covered under the warranty.**
- **Keep this instruction manual.**



Sneeze Guard
QTY: 1



THE
HOSTESS
STATION

Note: Parts are not to scale.

STEP 1: Remove bolts highlighted in the drawing below using an allen key:

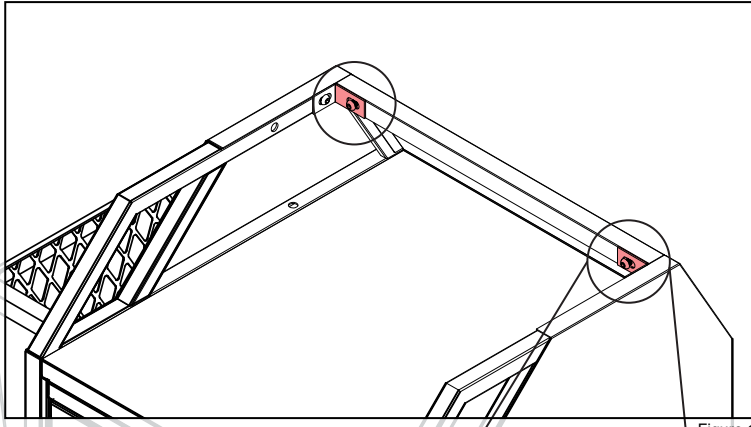


Figure 1

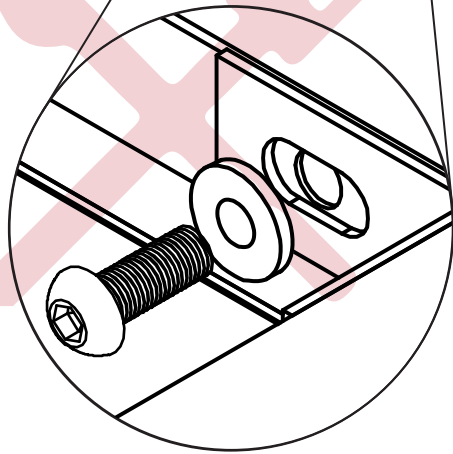


Figure 2

Note: Bracket might come loose while removing bolt.

STEP 2: Install sneeze guard by sliding in from above, follow diagram below to re-install the hardware removed in STEP 1.

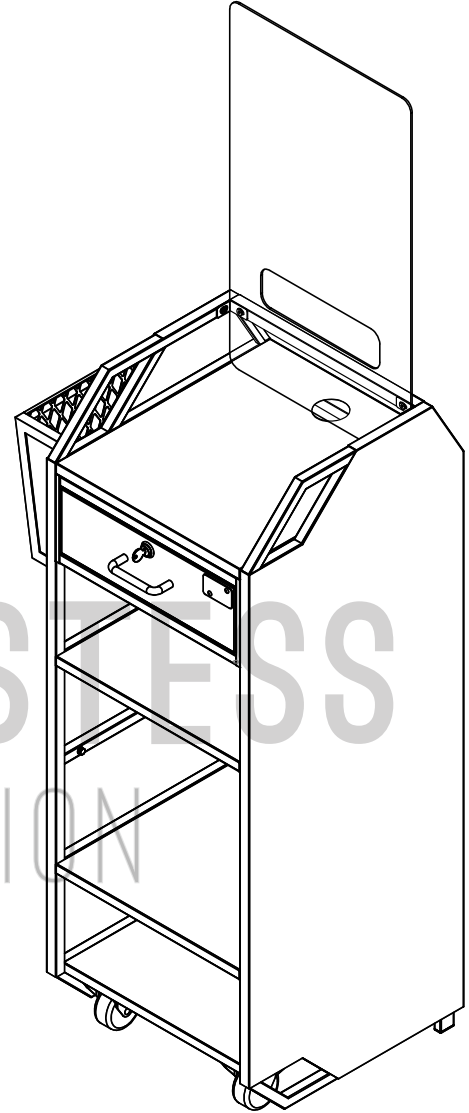
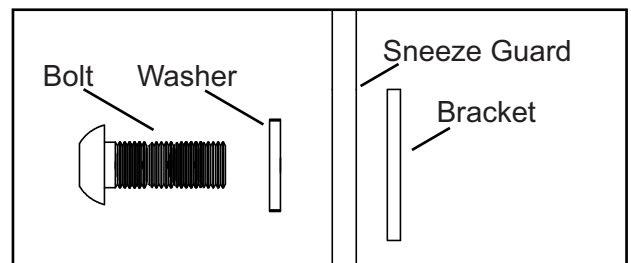
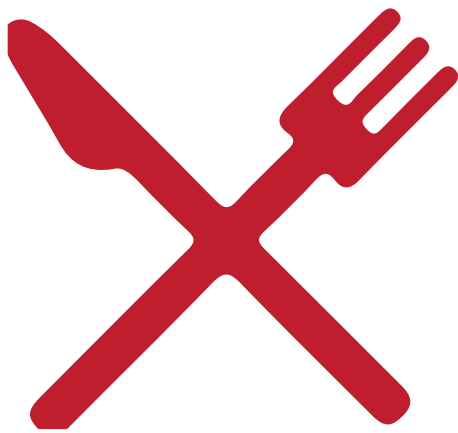


Figure 3





THE
HOSTESS
STATION

Contact us

Tel # 844-873-1400

Fax # 866-659-3353

E-mail: sales@thehostessstation.com

Visit us at

www.thehostessstation.com

